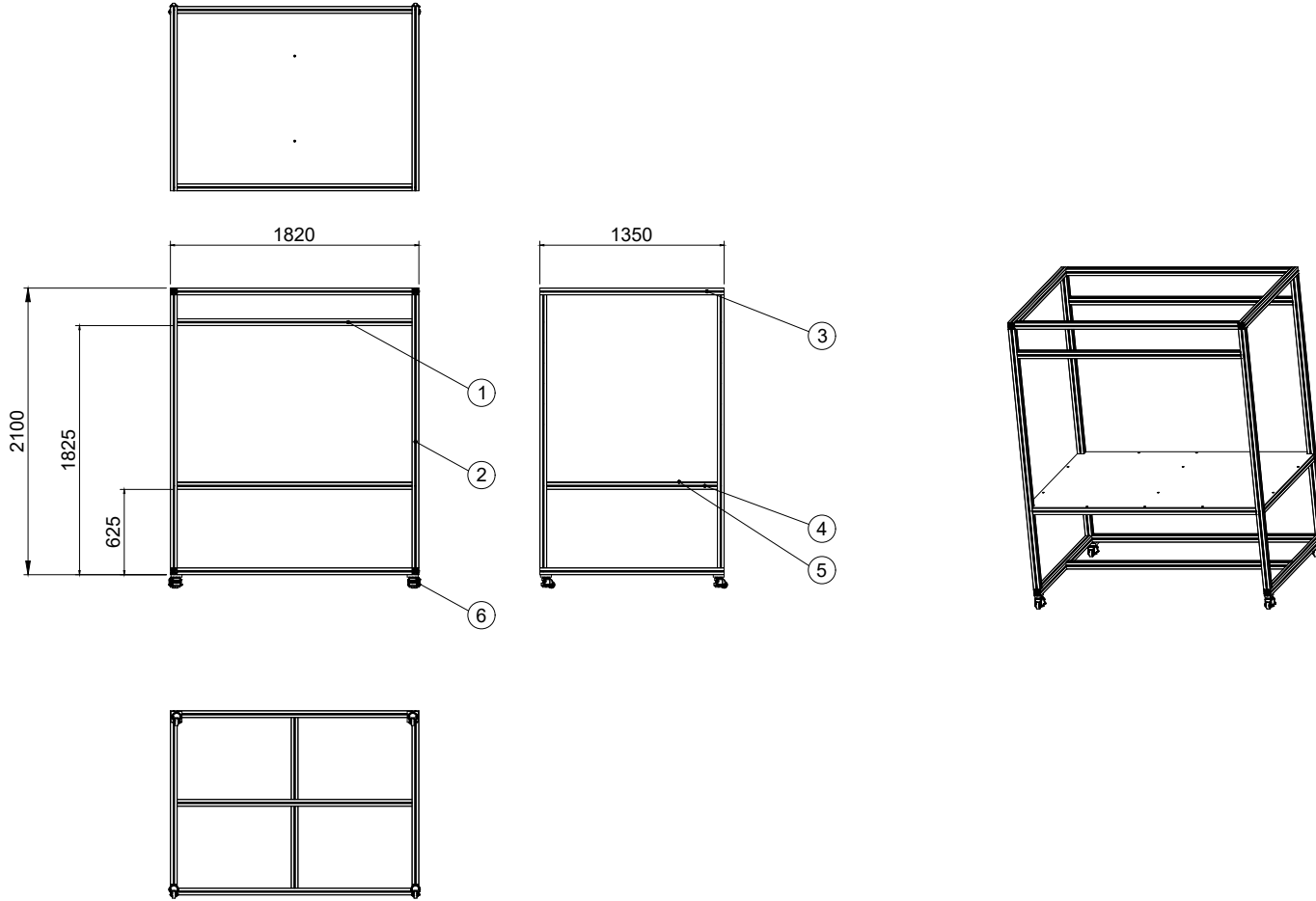


Releasing this Drawing without permission of Namuga should be accused according to the law and company rules.

NO.	DESCRIPTION	Q'TY	FINISHING	REMARKS
1	5050 프로파일, L=1,820	2	절단탭가공 ( M 8 , 2 개소)	
2	5050 프로파일, L=2,400	0	절단탭가공 ( M 8 , 2 개소) / 측면	출가공 ( Φ8 , 8 개소)
3	5050 프로파일, L=1,450	0	측면 출가공 ( Φ8 , 4 개소)	
4	5050 프로파일, L=1,350	0	절단탭가공 ( M 8 , 2 개소)	
5	베이스 플레이트	1	접시머리출가공 ( Φ8 , 1 2 개소)	
6	Caster , AC300S4			



Dimension	Tolerance
0~6	±0.05
6~30	±0.1
30~120	±0.15
120~400	±0.2

Tolerance for angular dimension  
Fine ISO 2768-f  
(Ranges of lengths  
in millimeters of shorter side  
of the angle concerned)

Dimension	Tolerance
~10	±1~
10~50	±0.5~
50~200	±0.333~

Distinguish	RoHS						Halogen Flame retardants		Other			
	Cd	Hg	Pb	Cr (Cr Al)	PBBs	PBDEs	Br	Cl	Sb (Antimony and its compounds)	Co (Cobalt chloride)	Sn (Organic of compounds)	DMF (dimethyl fumarate)
Product	Organic	5	700	100	800	900	900	900	700	1000	1000	0.1ppm
	Inorganic	80	800	700	800	-	-	-	700	-	-	

Rev.	DATE	WRITTEN BY	CHECKED BY	1st released				REVISION RECORD	REMARK
UNIT	m	SCALE	1/1	DRAW BY	REQUEST BY	CHECKED BY	APPROVED BY	TITLE	FOCUS TEST BOOTH
MODIGENCE VISION								PART NO.	TBD
Model COMMON								DRAWING NO.	-
3RD ANGLE PROJECTION									01/A