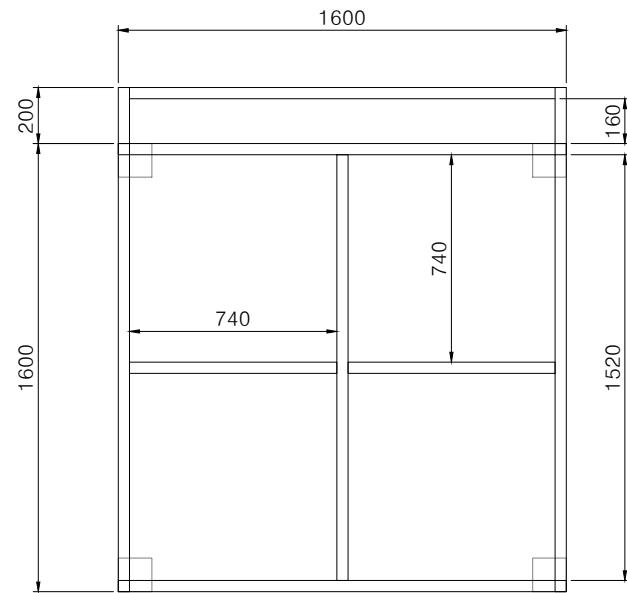
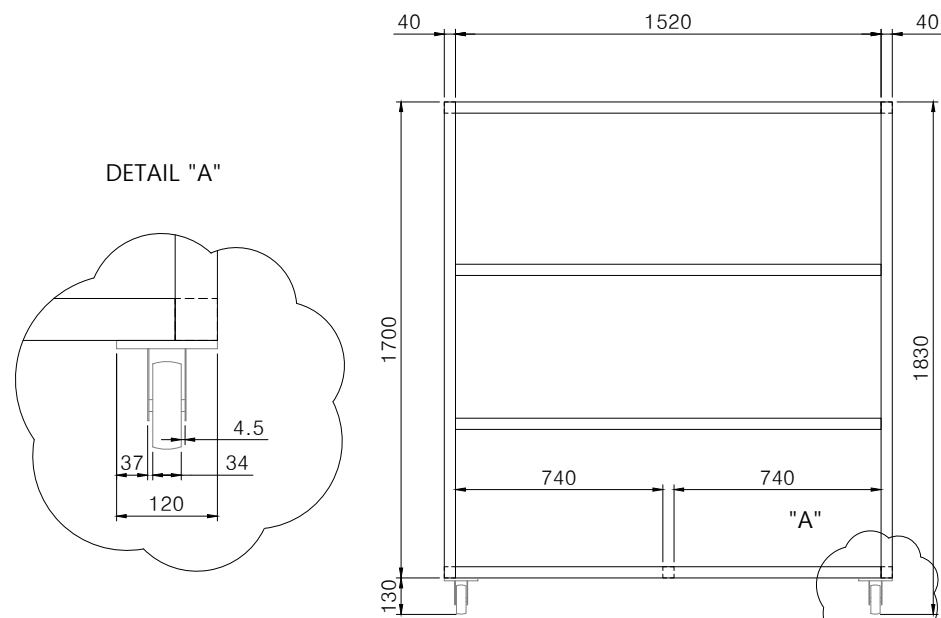
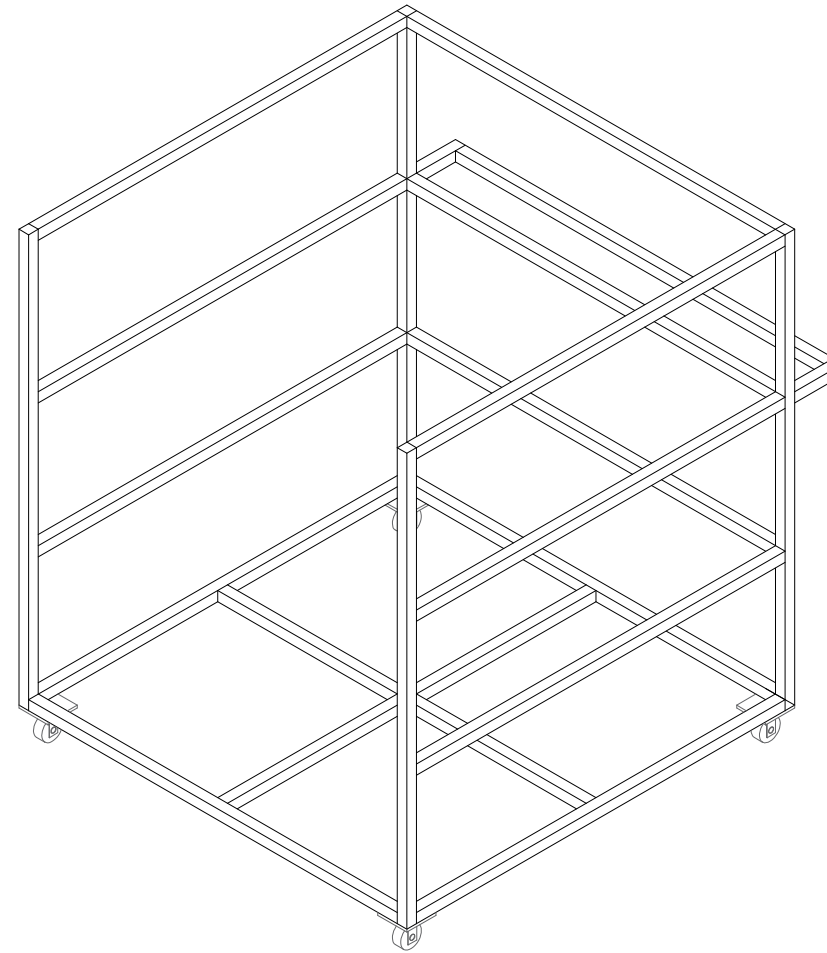


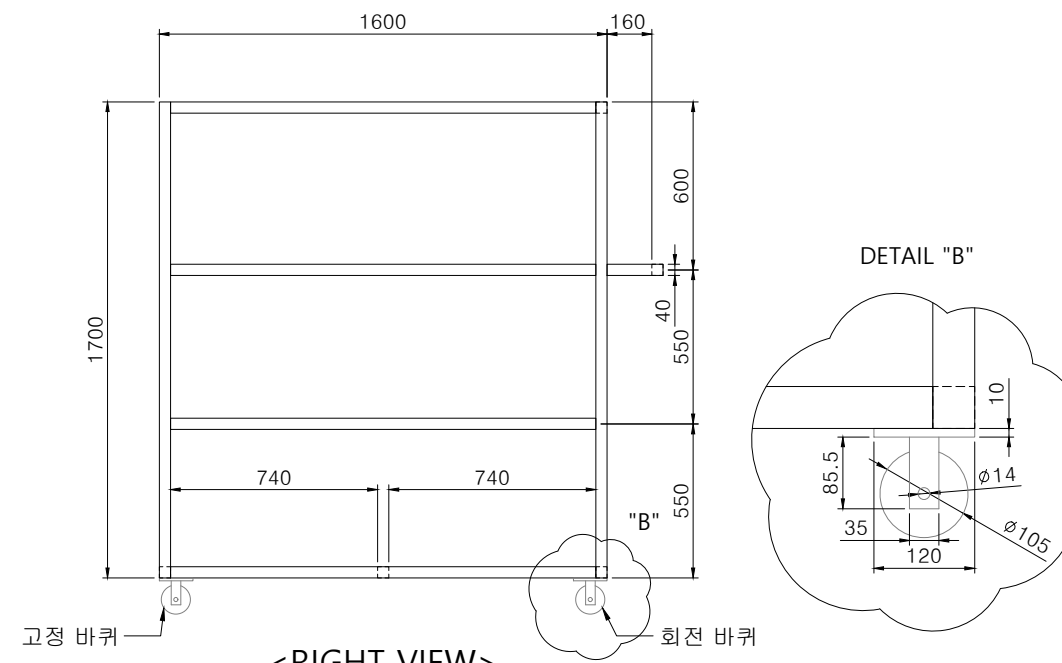
# 제작수량 : 4 EA



<TOP VIEW>



<FRONT VIEW>



<RIGHT VIEW>

REV	DATE	DESCRIPTION	REV	DATE	DESCRIPTION
2			5		
1			4		
0			3		


**(주) 대한피엔씨**  
**P N C CO., LTD.**

DRAWN BY  
 CHECKED BY  
 DESIGNED BY  
 APPROVED BY

PROJECT

DRAWING NAME

원통/원추 메탈라스망 대차

SCALE

NONE

UNIT

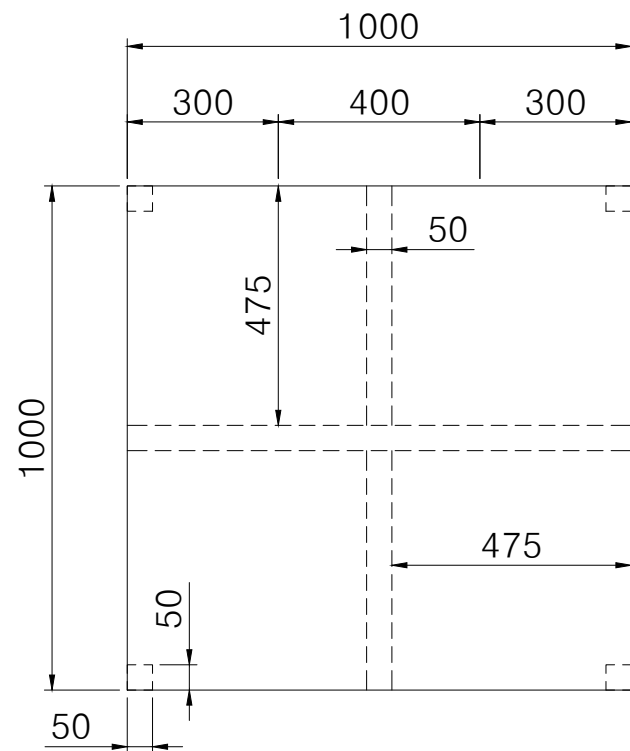
mm

DATE

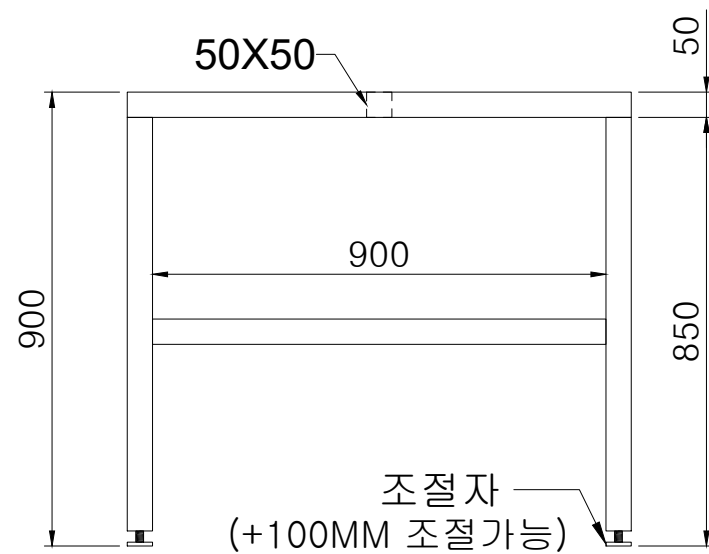
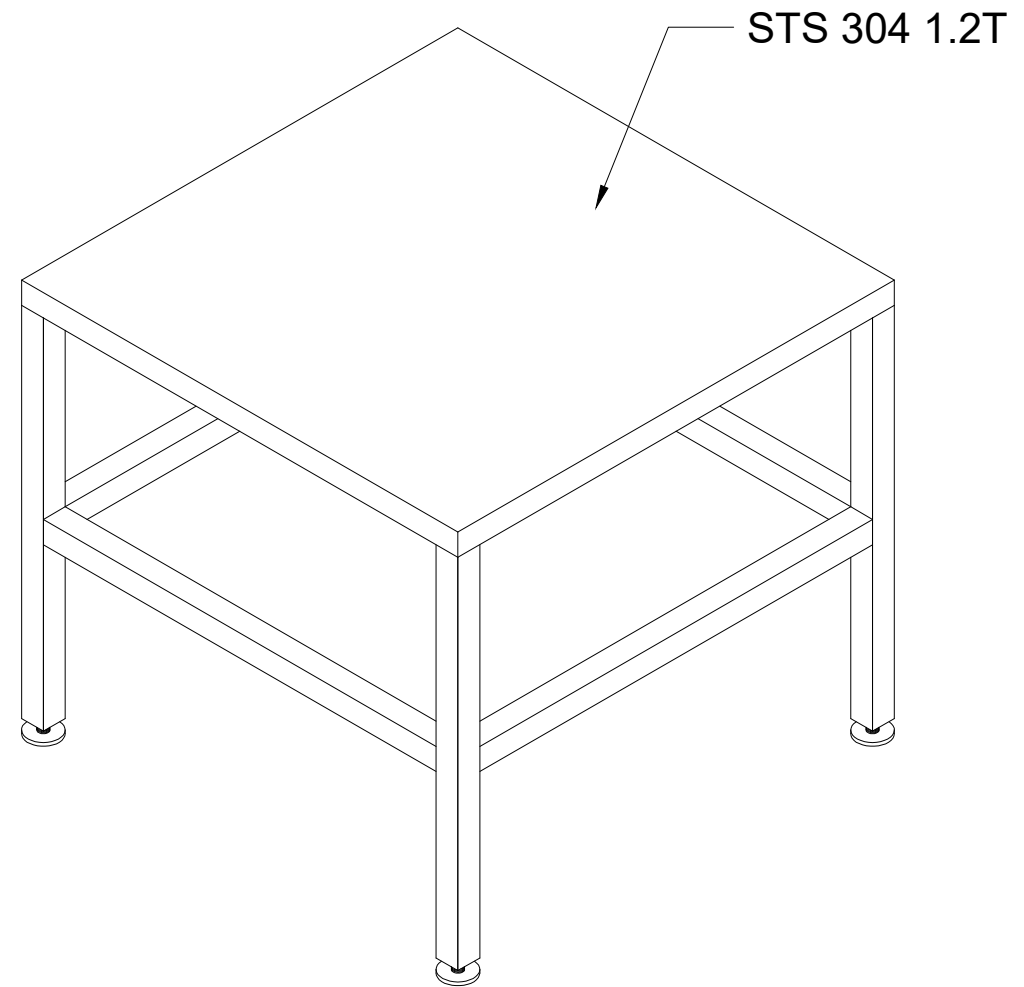
2020.03.25

DWG NO.

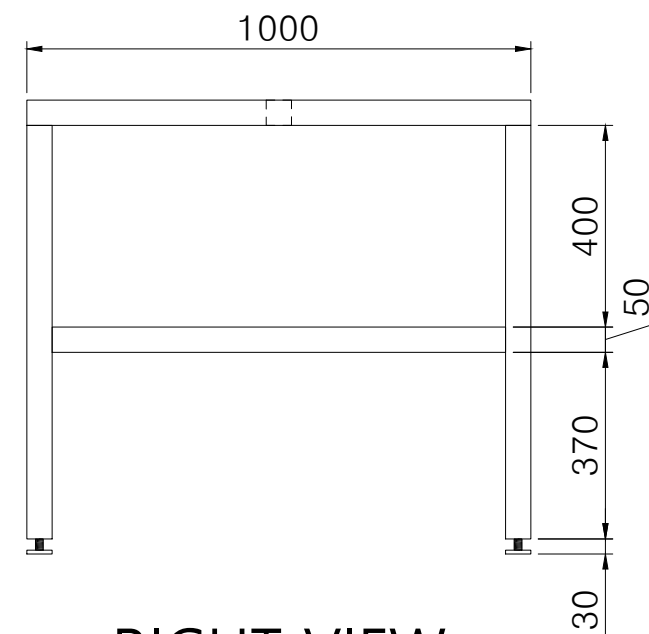
# 제작수량 : 2 EA



<TOP VIEW>



<FRONT VIEW>



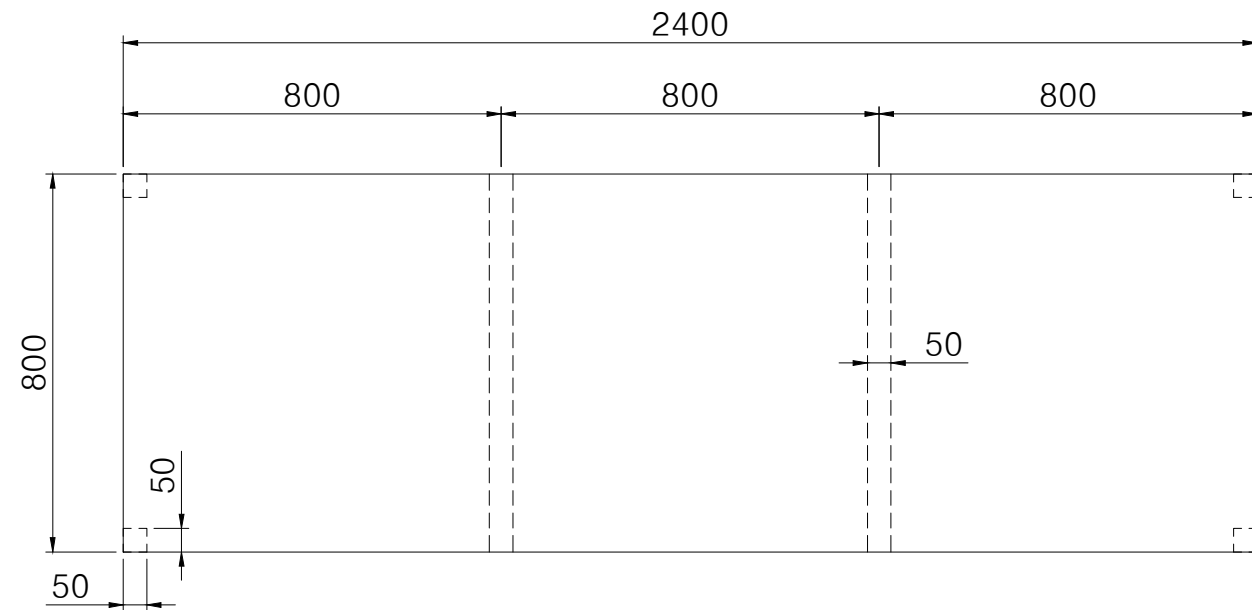
<RIGHT VIEW>

REV	DATE	DESCRIPTION	REV	DATE	DESCRIPTION
2			5		
1			4		
0			3		

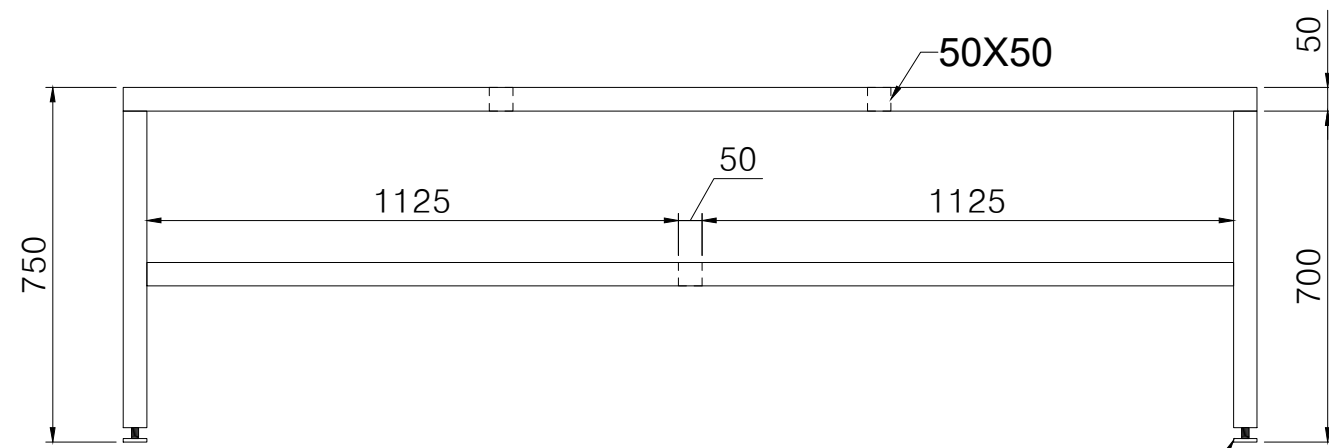
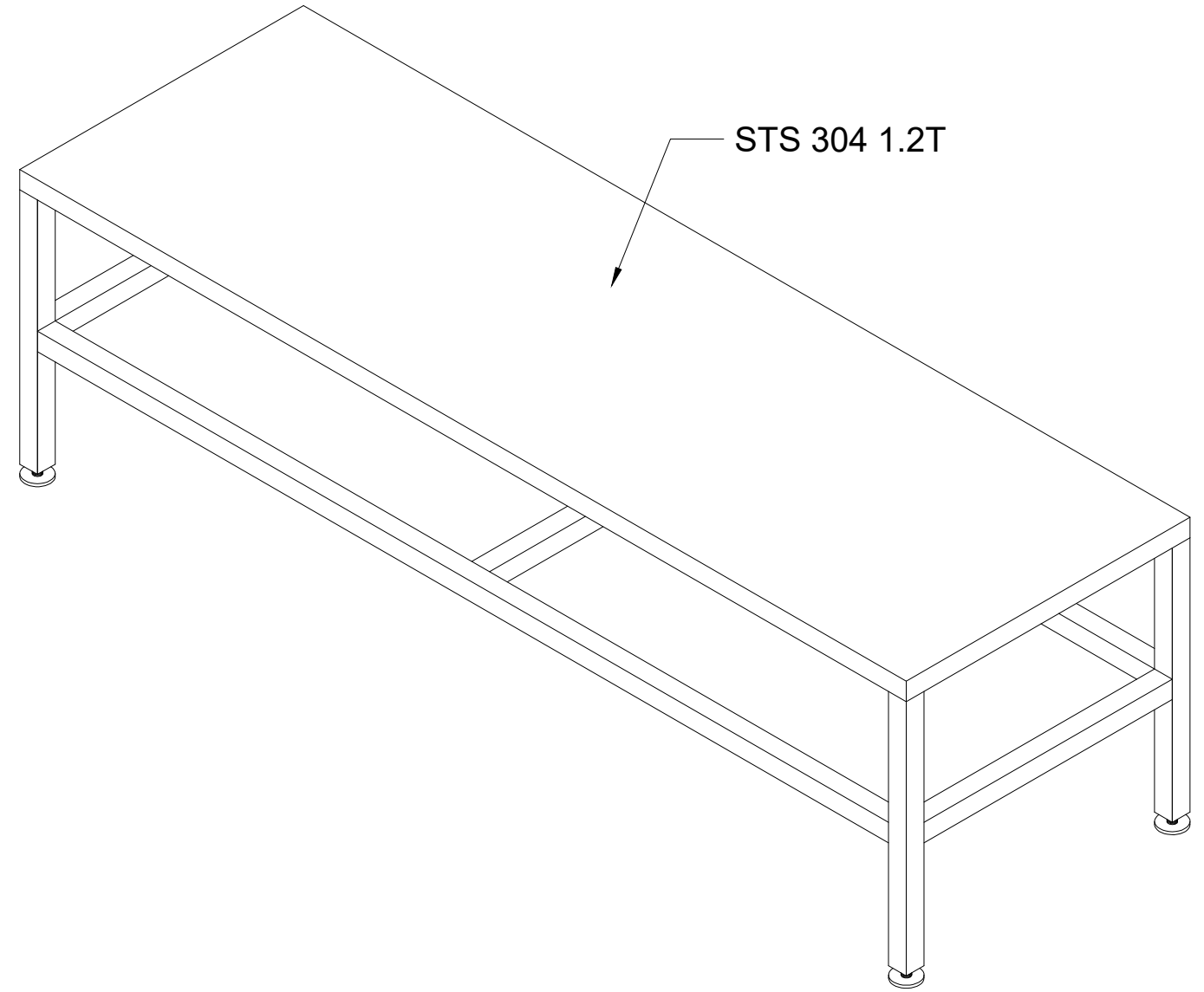

**(주) 대한피엔씨**  
**P N C CO., LTD.**

DRAWN BY		PROJECT	SCALE	NONE	DATE	2020.03.25
CHECKED BY		DRAWING NAME	UNIT	mm	DWG NO.	
DESIGNED BY			작업대(1000X1000X900H)			
APPROVED BY						

# 제작수량 : 2 EA

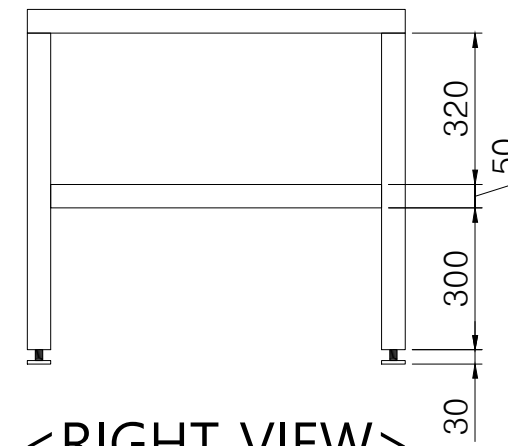


<TOP VIEW>



<FRONT VIEW>

조절자  
(+100MM 조절가능)



<RIGHT VIEW>

REV	DATE	DESCRIPTION	REV	DATE	DESCRIPTION
2			5		
1			4		
0			3		

**PN C CO., LTD.**  
(주) 대한피엔씨

DRAWN BY  
CHECKED BY  
DESIGNED BY  
APPROVED BY

PROJECT

DRAWING NAME

작업대(2400X800X750H)

SCALE

NONE

UNIT

mm

DATE

2020.03.25

DWG NO.